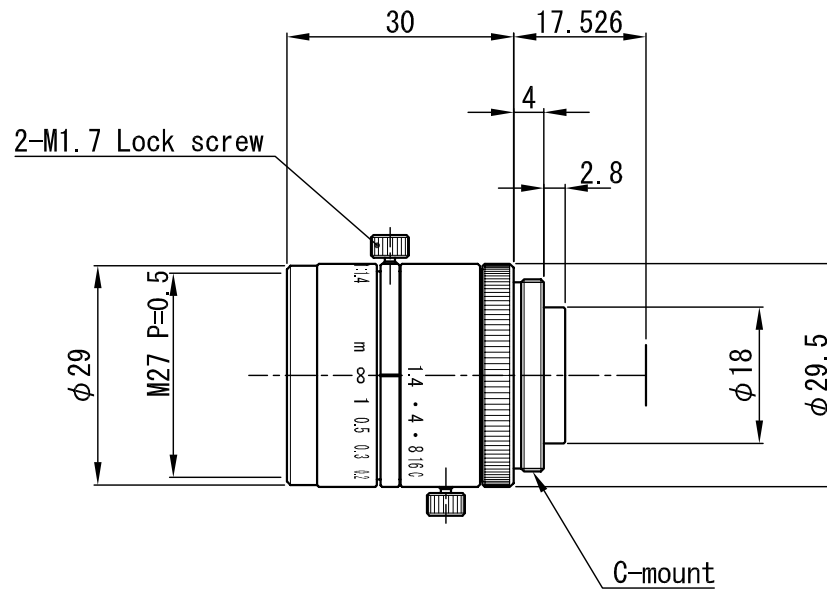


Model	SV-0614V
Focal Length	6 mm (6.20)
Maximum Aperture Ratio	1:1.4 (1.45)
F.No	F1.4 ~ Close
Angle of view (1/2")	42.3° × 54.6° (Diagonal:65.7°)
M.O.D	0.2 m
Flange back	17.526 mm
Operation of Iris & Focus	Manual
Mount	C-mount
Filter Thread	M27 mm P= 0.5
TV distortion (1/2")	-1.85 %
Sensor size (max.)	1/2"
Weight (approx.)	49 g
Dimension	φ 29.5 (MAX) × L= 30 mm



△				APPROVED	CHECKED	MATERIAL 材料	-	CHAMFER 一般面取	-	QUANTITY 個数					
△				T. A.	T. A.	TREATMENT 処理	-	FINISHING 仕上	-	-					
△						TREATMENT CONTACT 処理接点	-	DECENTRATION 偏芯	-						
△				DESIGNED	DRAWN	OVER 250 UP TO 1000	±0.3	±0.5	±1.0	±0.2	UNIT (mm)	ANGLE 角度	METHOD 図法	REMARK 適用 (機種名)	
△						OVER 63 UP TO 250	±0.2	±0.3	±0.6	±0.15		-		SV-0614V	
△						OVER 16 UP TO 63	±0.1	±0.2	±0.4	±0.1		SCALE	1 / 1		NAME
△						T. A.	T. T.	OVER 0 UP TO 16	±0.05	±0.1		±0.2	±0.1	DATE	11.04.06
	DATE	EXCH NO.	REVISION 変更記事			TOLERANCES	Ⓐ	B	C	S					