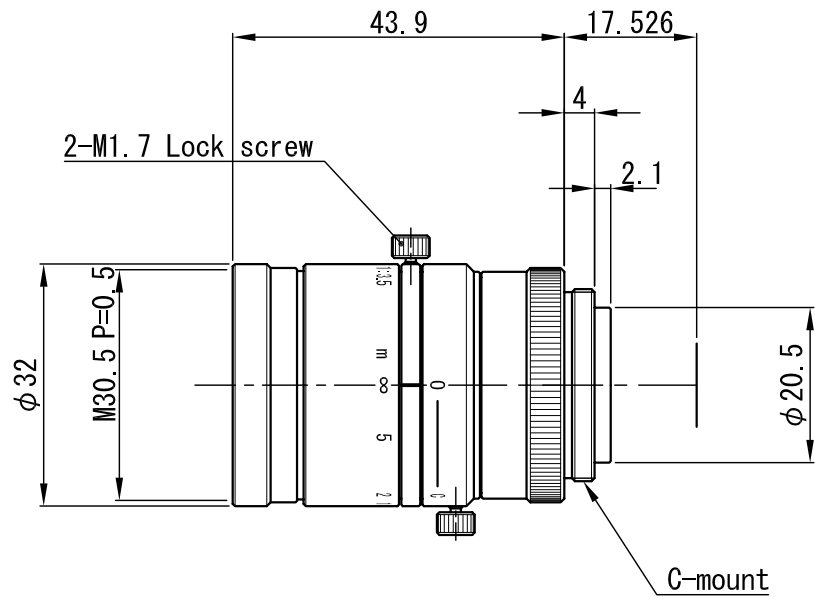


Model	SV-10035V
Focal Length	100 mm (95.41)
Maximum Aperture Ratio	1:3.5
F.No	F3.5 ~ Close
Angle of view (1/2")	2.9° × 3.8° (Diagonal:4.8° )
M.O.D	1000 mm ~ ∞
Flange back	17.526 mm
Operation of Iris & Focus	Manual
Mount	C-mount
Filter Thread	M30.5 mm P= 0.5
TV distortion (1/2")	0.59 %
Sensor size (max.)	1/2"
Weight (approx.)	79 g
Dimension	φ 32 (MAX) × L= 43.9 mm



△				APPROVED	CHECKED	MATERIAL 材料	-	CHAMFER 一般面取	-	QUANTITY 個数	
△				T. A.	T. A.	TREATMENT 処理	-	FINISHING 仕上	-	-	
△						TREATMENT CONTACT 処理接点	-	DECENTRATION 偏芯	-		
△				DESIGNED	DRAWN	OVER 250 UP TO 1000	±0.3 ±0.5 ±1.0 ±0.2	ANGLE 角度	METHOD 図法	REMARK 適用 (機種名)	
△				T. A.	T. T.	OVER 63 UP TO 250	±0.2 ±0.3 ±0.6 ±0.15	-		SV-10035V	
△						OVER 16 UP TO 63	±0.1 ±0.2 ±0.4 ±0.1				SCALE
	DATE	EXCH NO.	REVISION 変更記事			TOLERANCES	① B C S	DATE	'11.04.06	DRAW NO.	01D SV 010 2A 1