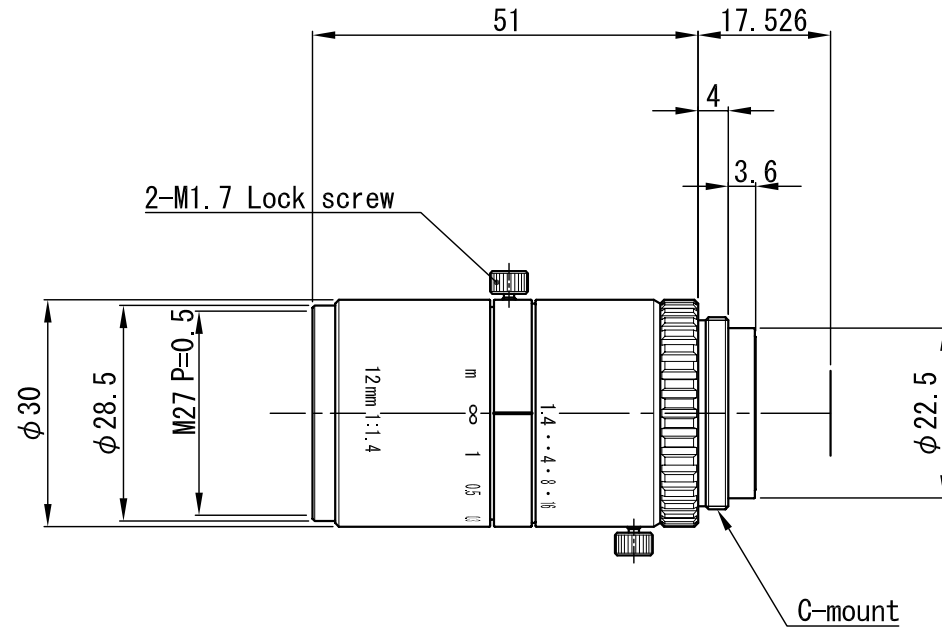


12-Apr-12
SPSV0079A1

Mega Pixel CCTV Lens

Model	SV-1214H		
Focal Length (f)	12 mm (12.30)		
Maximum Aperture Ratio	1:1.4 (1.44)		
F/#	1.4 ~ 16		
Angle of view (2/3")	30.2°	X	39.6° (Diagonal: 48.3°)
M.O.D	100 mm		
Back Focus	10.90 mm		
Flange back	17.526 mm		
Operation of Iris & Focus	manual		
Mount	C-mount		
Filter Thread	M 27 P= 0.5		
Front Principle Point	27.36 mm		
Rear Principle Point	-1.37 mm		
FPP RPP Distance	24.51 mm		
Optical over all length	53.24 mm		
Wavelength	Visible (400nm – 700nm)		
TV distortion (2/3")	0.04 %		
Sensor size (max.)	2/3"		
Weight (approx.)	85.0 g		
Dimension	51.0 mm		



△				APPROVED	CHECKED	MATERIAL 材料	-	CHAMFER 一般面取	-	QUANTITY 個数	
△				T. A.	T. A.	TREATMENT 処理	-	FINISHING 仕上	-	-	
△						TREATMENT CONTACT 処理接点	-	DECENTRATION 偏芯	-		
△				DESIGNED	DRAWN	OVER 250 UP TO 1000	±0.3 ±0.5 ±1.0 ±0.2	ANGLE 角度	METHOD 図法	REMARK 適用 (機種名)	
△				T. A.	M. Y.	OVER 63 UP TO 250	±0.2 ±0.3 ±0.6 ±0.15	UNIT (mm)	-	SV-1214H	
△						OVER 16 UP TO 63	±0.1 ±0.2 ±0.4 ±0.1				SCALE
	DATE	EXCH NO.	REVISION 変更記事			TOLERANCES	① B C S	DATE	'11.05.19	DRAW NO.	0 D S V 0 0 7 9 A 1