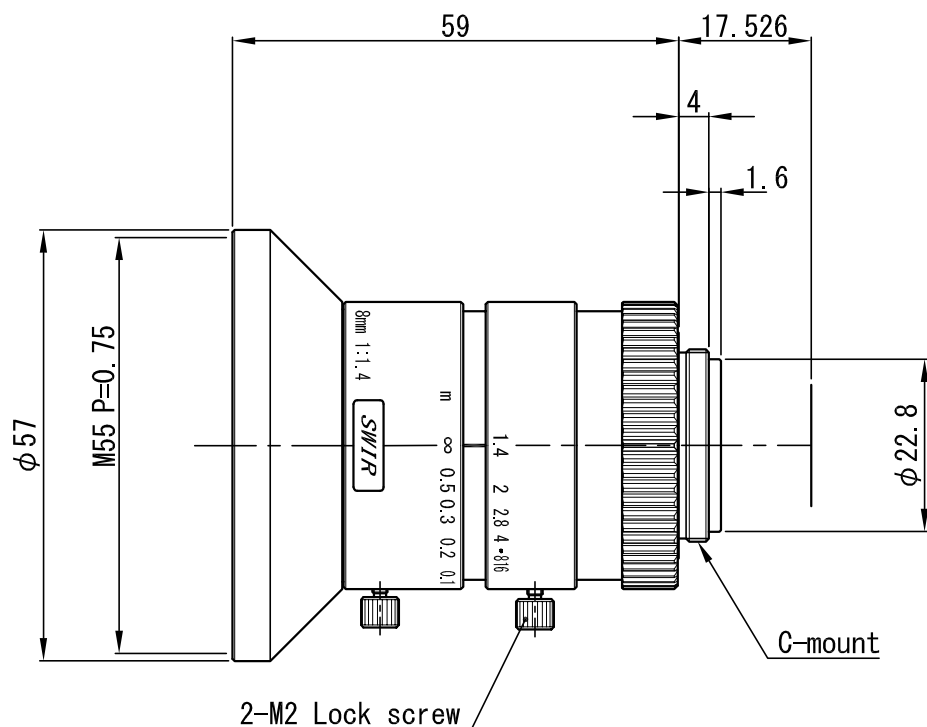


Megapixel Fixed Focal Length Lens support 1"

Model	VS-0814H1-SWIR
Focal Length (f)	8 mm
Maximum Aperture Ratio	1: 1.4
Aperture	F 1.4 ~ 16
Angle of View (1")	71.8° × 71.8° (Diagonal: 91.8°)
M.O.D	100 mm
TV Distortion (1")	-0.54 %
Operation	Manual (Lock screw M2)
Wavelength	Short Wave IR
Mount	C-Mount
Flange Back	17.526 mm
Sensor Size (max.)	1"
Filter Thread	M 55 P= 0.75
Weight (approx.)	175 g
Dimension	ϕ 57 (max.) × L = 59 mm



△×				APPROVED	CHECKED	MATERIAL 材料	-	CHAMFER 一般面取	-	QUANTITY 個数				
△×				T. A.	T. A.	TREATMENT 処理	-	FINISHING 仕上	-	-				
△×						TREATMENT CONTACT 処理接点	-	DECENTRATION 偏芯	-					
△×				DESIGNED	DRAWN	OVER 250 UP TO 1000	±0.3 ±0.5 ±1.0 ±0.2	ANGLE 角度	METHOD 図法	REMARK 適用 (機種名)				
△×				T. A.	T. T.	OVER 63 UP TO 250	±0.2 ±0.3 ±0.6 ±0.15	UNIT (mm)	-	VS-0814H1-SWIR				
△×						OVER 16 UP TO 63	±0.1 ±0.2 ±0.4 ±0.1				SCALE	1 / 1	NAME	外觀圖
△×						OVER 0 UP TO 16	±0.05 ±0.1 ±0.2 ±0.1				DATE	16.10.11	DRAW NO.	01D S V 0 1 5 2 A 1
NO. × 箇所	REVISION 訂正事項	DATE	NAME	TOLERANCES		A	B	C	S					