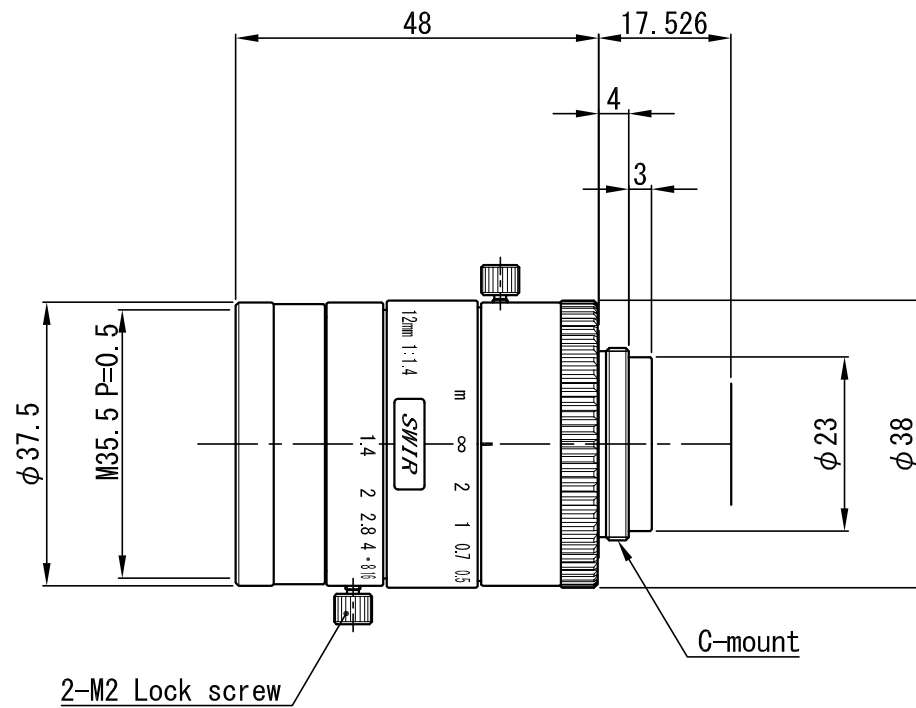


Megapixel Fixed Focal Length Lens support 1"

Model	VS-1214H1-SWIR
Focal Length (f)	12 mm (12.05)
Maximum Aperture Ratio	1: 1.4
Aperture	F 1.4 ~ 16
Angle of View (1")	50.8° × 50.8° (Diagonal: 68.2°)
M.O.D	300 mm
TV Distortion (1")	-0.32 %
Operation	Manual (Lock screw M2)
Wavelength	Short Wave IR
Mount	C-Mount
Flange Back	17.526 mm
Sensor Size (max.)	1"
Filter Thread	M 35.5 P= 0.5
Weight (approx.)	130 g
Dimension	ϕ 38 (max.) × L = 48 mm



△×				APPROVED	CHECKED	MATERIAL 材料	-	CHAMFER 一般面取	-	QUANTITY 個数			
△×				T. A.	T. A.	TREATMENT 処理	-	FINISHING 仕上	-	-			
△×						TREATMENT CONTACT 処理接点	-	DECENTRATION 偏芯	-				
△×				DESIGNED	DRAWN	OVER 250 UP TO 1000 ±0.3 ±0.5 ±1.0 ±0.2	UNIT (mm)	ANGLE 角度	METHOD 図法	REMARK 適用 (機種名)			
△×				T. A.	T. T.	OVER 63 UP TO 250 ±0.2 ±0.3 ±0.6 ±0.15		-		VS-1214H1-SWIR			
△×						OVER 16 UP TO 63 ±0.1 ±0.2 ±0.4 ±0.1		SCALE			1 / 1	NAME	外觀図
△×						OVER 0 UP TO 16 ±0.05 ±0.1 ±0.2 ±0.1		DATE			17.09.15	DRAW NO.	01D S V 0 1 6 3 A 1
NO. × 箇所	REVISION 訂正事項	DATE	NAME	TOLERANCES		A	B	C	S				