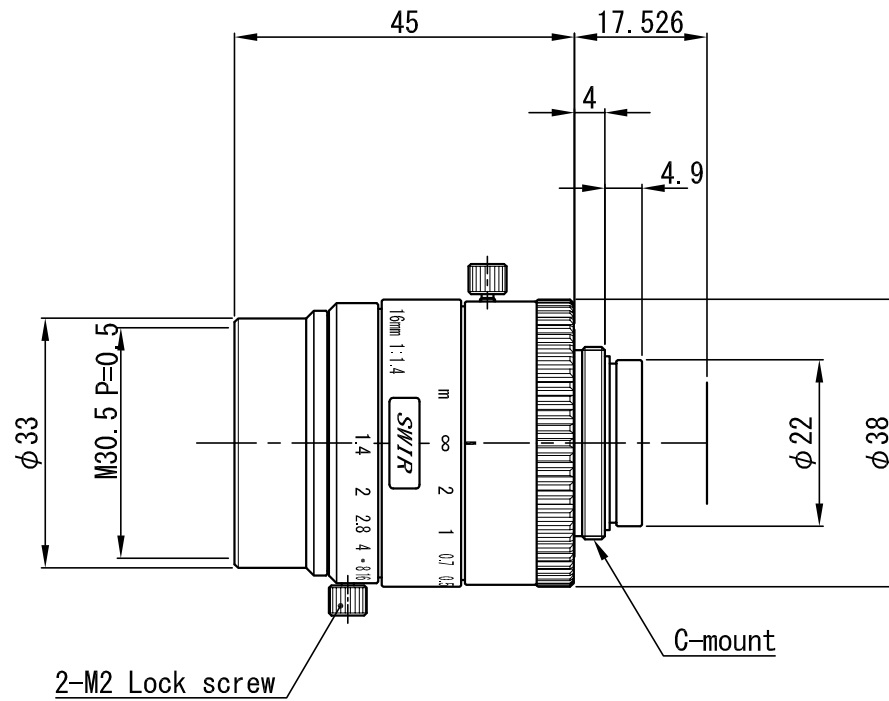


*Megapixel Fixed Focal Length Lens support 1"*

Model	VS-1614H1N-SWIR
Focal Length (f)	16 mm (16.39)
Maximum Aperture Ratio	1: 1.4
Aperture	F 1.4 ~ 16
Angle of View (1")	38.6° × 38.6° (Diagonal: 53.5° )
M.O.D	300 mm
TV Distortion (1")	-0.65 %
Operation	Manual (Lock screw M2)
Wavelength	Short Wave IR
Mount	C-Mount
Flange Back	17.526 mm
Sensor Size (max.)	1"
Filter Thread	M 30.5 P= 0.5
Weight (approx.)	120 g
Dimension	$\phi$ 38 (max.) × L = 45 mm



$\triangle \times$				APPROVED	CHECKED	MATERIAL 材料	-	CHAMFER 一般面取	-	QUANTITY 個数
$\triangle \times$				T. A.	T. A.	TREATMENT 処理	-	FINISHING 仕上	-	-
$\triangle \times$						TREATMENT CONTACT 処理接点	-	DECENTRATION 偏芯	-	
$\triangle \times$				DESIGNED	DRAWN	OVER 250 UP TO 1000	$\pm 0.3$ $\pm 0.5$ $\pm 1.0$ $\pm 0.2$	ANGLE 角度	METHOD 図法	REMARK 適用 (機種名)
$\triangle \times$				T. A.	T. T.	OVER 63 UP TO 250	$\pm 0.2$ $\pm 0.3$ $\pm 0.6$ $\pm 0.15$	UNIT (mm)	-	VS-1614H1N-SWIR
$\triangle \times$						OVER 16 UP TO 63	$\pm 0.1$ $\pm 0.2$ $\pm 0.4$ $\pm 0.1$			
$\triangle \times$						OVER 0 UP TO 16	$\pm 0.05$ $\pm 0.1$ $\pm 0.2$ $\pm 0.1$	DATE	17.09.15	DRAW NO.
NO. x 箇所	REVISION 訂正事項	DATE	NAME			TOLERANCES	A B C S			01D SV0164A1