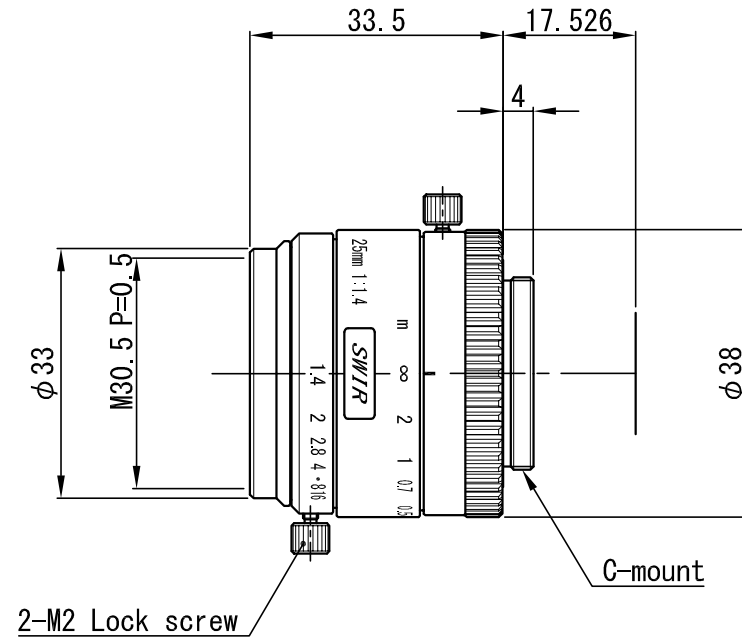


Megapixel Fixed Focal Length Lens support 1"

Model	VS-2514H1-SWIR
Focal Length (f)	25 mm (25.42)
Maximum Aperture Ratio	1: 1.4
Aperture	F 1.4 ~ 16
Angle of View (1")	25.1° × 25.1° (Diagonal: 35.4°)
M.O.D	300 mm
TV Distortion (1")	-0.46 %
Operation	Manual (Lock screw M2)
Wavelength	Short Wave IR
Mount	C-Mount
Flange Back	17.526 mm
Sensor Size (max.)	1"
Filter Thread	M 30.5 P= 0.5
Weight (approx.)	84 g
Dimension	ϕ 38 (max.) × L = 33.5 mm



$\triangle \times$				APPROVED	CHECKED	MATERIAL 材料	-	CHAMFER 一般面取	-	QUANTITY 個数	
$\triangle \times$				T. A.	T. A.	TREATMENT 処理	-	FINISHING 仕上	-	-	
$\triangle \times$						TREATMENT CONTACT 処理接点	-	DECENTRATION 偏芯	-		
$\triangle \times$				DESIGNED	DRAWN	OVER 250 UP TO 1000	± 0.3 ± 0.5 ± 1.0 ± 0.2	ANGLE 角度	METHOD 図法	REMARK 適用 (機種名)	
$\triangle \times$				T. A.	T. T.	OVER 63 UP TO 250	± 0.2 ± 0.3 ± 0.6 ± 0.15	UNIT (mm)	-		VS-2514H1-SWIR
$\triangle \times$						OVER 16 UP TO 63	± 0.1 ± 0.2 ± 0.4 ± 0.1				
	NO. x 箇所	REVISION 訂正事項	DATE			NAME	TOLERANCES	A B C S	DATE	16.10.11	DRAW NO.