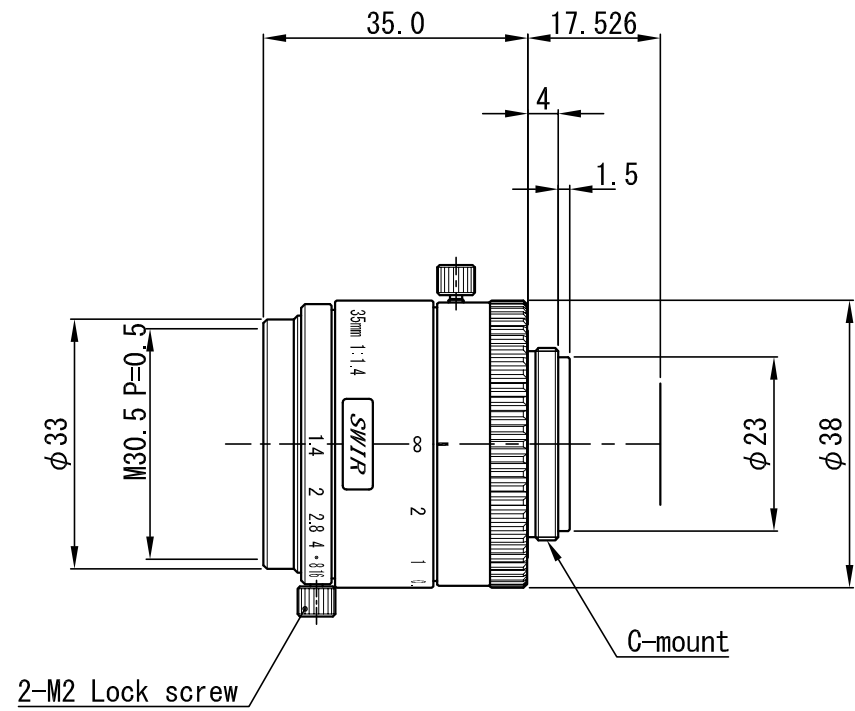


Megapixel Fixed Focal Length Lens support 1"

Model	VS-3514H1-SWIR
Focal Length (f)	35 mm (35.10)
Maximum Aperture Ratio	1: 1.4
Aperture	F 1.4 ~ 16
Angle of View (1")	18.3° × 18.3° (Diagonal: 25.8°)
M.O.D	300 mm
TV Distortion (1")	-0.31 %
Operation	Manual (Lock screw M2)
Wavelength	Short Wave IR
Mount	C-Mount
Flange Back	17.526 mm
Sensor Size (max.)	1"
Filter Thread	M 30.5 P= 0.5
Weight (approx.)	92 g
Dimension	ϕ 38 (max.) × L = 35 mm



△×				APPROVED	CHECKED	MATERIAL 材料	-	CHAMFER 一般面取	-	QUANTITY 個数
△×				T. A.	T. A.	TREATMENT 処理	-	FINISHING 仕上	-	-
△×						TREATMENT CONTACT 処理接点	-	DECENTRATION 偏芯	-	
△×				DESIGNED	DRAWN	OVER 250 UP TO 1000	±0.3	±0.5	±1.0	±0.2
△×				T. A.	T. T.	OVER 63 UP TO 250	±0.2	±0.3	±0.6	±0.15
△×						OVER 16 UP TO 63	±0.1	±0.2	±0.4	±0.1
△×						OVER 0 UP TO 16	±0.05	±0.1	±0.2	±0.1
NO. × 箇所	REVISION 訂正事項	DATE	NAME			TOLERANCES	A	B	C	S
						UNIT (mm)	ANGLE 角度		METHOD 図法	REMARK 適用 (機種名)
						SCALE	1 / 1		NAME	VS-3514H1-SWIR
						DATE	17.09.11		DRAW NO.	01D SV0161A1
						外観図				