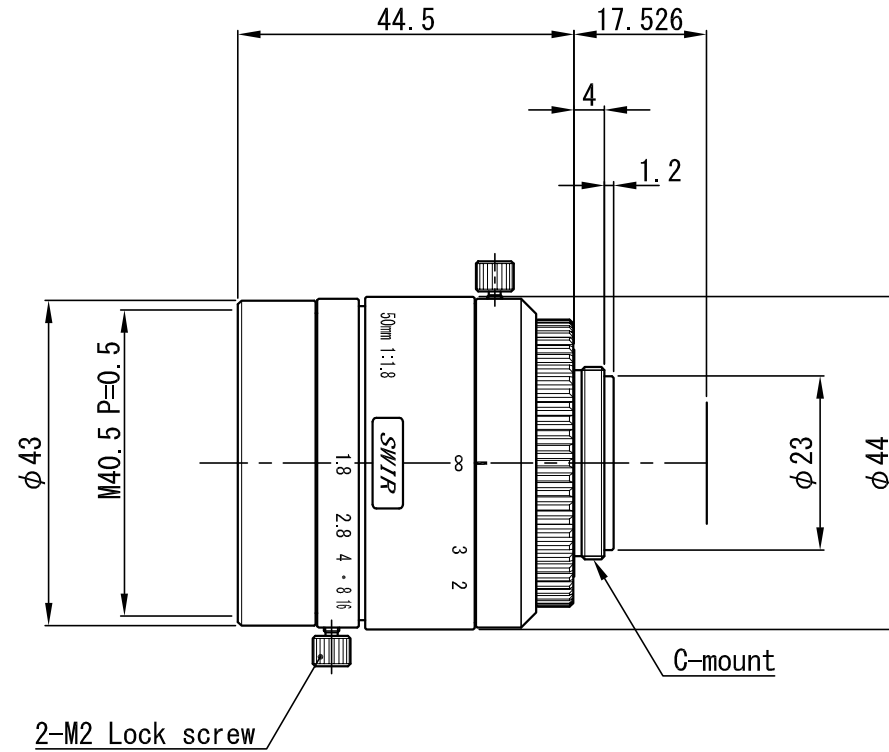


Megapixel Fixed Focal Length Lens support 1"

Model	VS-5018H1-SWIR
Focal Length (f)	50 mm (49.93)
Maximum Aperture Ratio	1: 1.8
Aperture	F 1.8 ~ 16
Angle of View (1")	12.8° × 12.8° (Diagonal: 18.1°)
M.O.D	500 mm
TV Distortion (1")	-0.01 %
Operation	Manual (Lock screw M2)
Wavelength	Short Wave IR
Mount	C-Mount
Flange Back	17.526 mm
Sensor Size (max.)	1"
Filter Thread	M 40.5 P= 0.5
Weight (approx.)	128 g
Dimension	ϕ 44 (max.) × L = 44.5 mm



△×				APPROVED	CHECKED	MATERIAL 材料	-	CHAMFER 一般面取	-	QUANTITY 個数	
△×				T. A.	T. A.	TREATMENT 処理	-	FINISHING 仕上	-	-	
△×						TREATMENT CONTACT 処理接点	-	DECENTRATION 偏芯	-		
△×				DESIGNED	DRAWN	OVER 250 UP TO 1000	±0.3 ±0.5 ±1.0 ±0.2	ANGLE 角度	METHOD 図法	REMARK 適用 (機種名)	
△×				T. A.	T. T.	OVER 63 UP TO 250	±0.2 ±0.3 ±0.6 ±0.15	UNIT (mm)	-	VS-5018H1-SWIR	
△×						OVER 16 UP TO 63	±0.1 ±0.2 ±0.4 ±0.1				SCALE
NO. × 箇所	REVISION 訂正事項	DATE	NAME	T. A.	T. T.	OVER 0 UP TO 16	±0.05 ±0.1 ±0.2 ±0.1	DATE	17.09.11	DRAW NO.	
						TOLERANCES	A B C S				01D S V 0 1 6 2 A 1