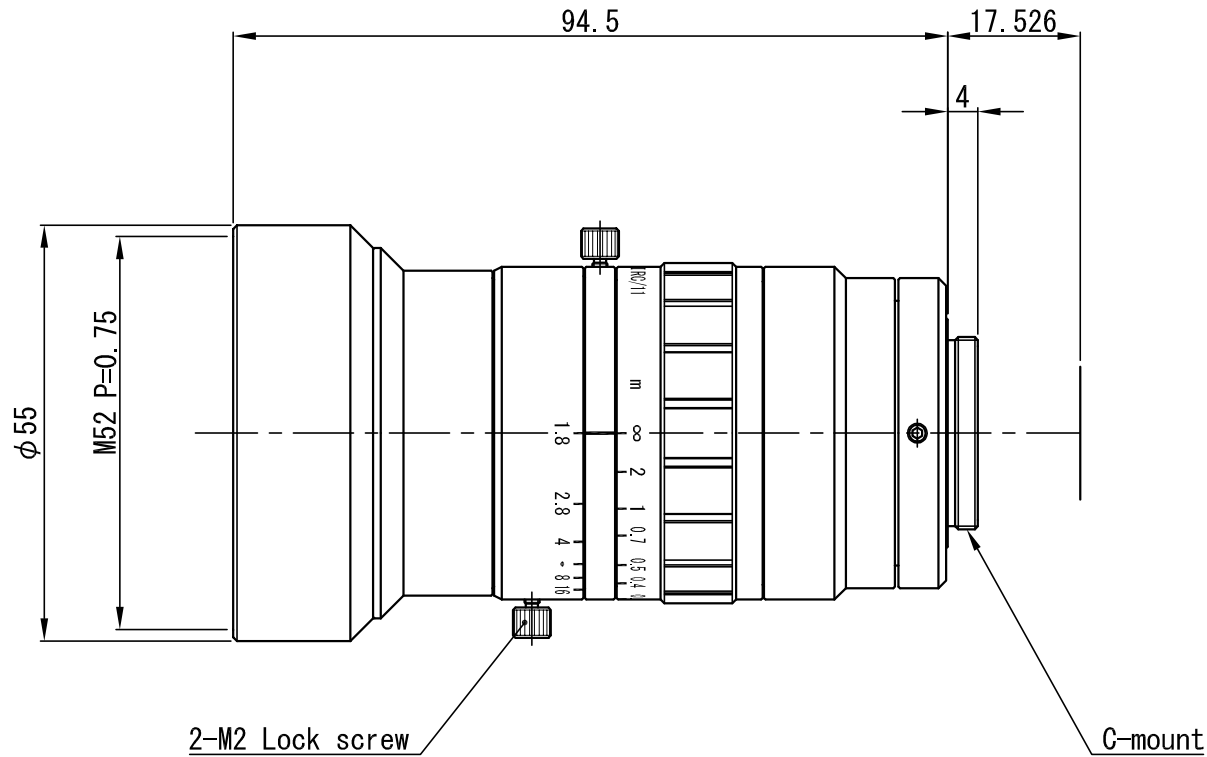


IR-Corrected Fixed Focal Length Lenses 1.1" support

Model	VS-H2518-IRC/11
Focal Length (f)	25 mm (25.42)
Maximum Aperture Ratio	1: 1.8
Aperture	F 1.8 ~ Close
Angle of View (1.1")	23.2° × 31.6° (Diagonal: 39.1°)
M.O.D	300 mm
TV Distortion (1.1")	-0.99 %
Operation	Manual (Lock screw M2)
Wavelength	Visible ~ 850nm
Mount	C-Mount
Flange Back	17.526 mm
Sensor Size (max.)	1.1"
Filter Thread	M 43 P= 0.75
Weight (approx.)	390 g
Dimension	ϕ 51 (max.) × L = 109.5 mm



△×				APPROVED	CHECKED	MATERIAL 材料	-	CHAMFER 一般面取	-	QUANTITY 個数				
△×				T. A.	T. A.	TREATMENT 処理	-	FINISHING 仕上	-	-				
△×						TREATMENT CONTACT 処理接点	-	DECENTRATION 偏芯	-					
△×				DESIGNED	DRAWN	OVER 250 UP TO 1000	±0.3 ±0.5 ±1.0 ±0.2	ANGLE 角度	METHOD 図法	REMARK 適用 (機種名)				
△×				T. A.	T. S.	OVER 63 UP TO 250	±0.2 ±0.3 ±0.6 ±0.15	UNIT (mm)	-	VS-H2518-IRC/11				
△×						OVER 16 UP TO 63	±0.1 ±0.2 ±0.4 ±0.1				SCALE	1 / 1	NAME	外觀図
△×						OVER 0 UP TO 16	±0.05 ±0.1 ±0.2 ±0.1				DATE	17.11.24	DRAW NO.	
NO. × 箇所	REVISION 訂正事項	DATE	NAME			TOLERANCES	A B C S							