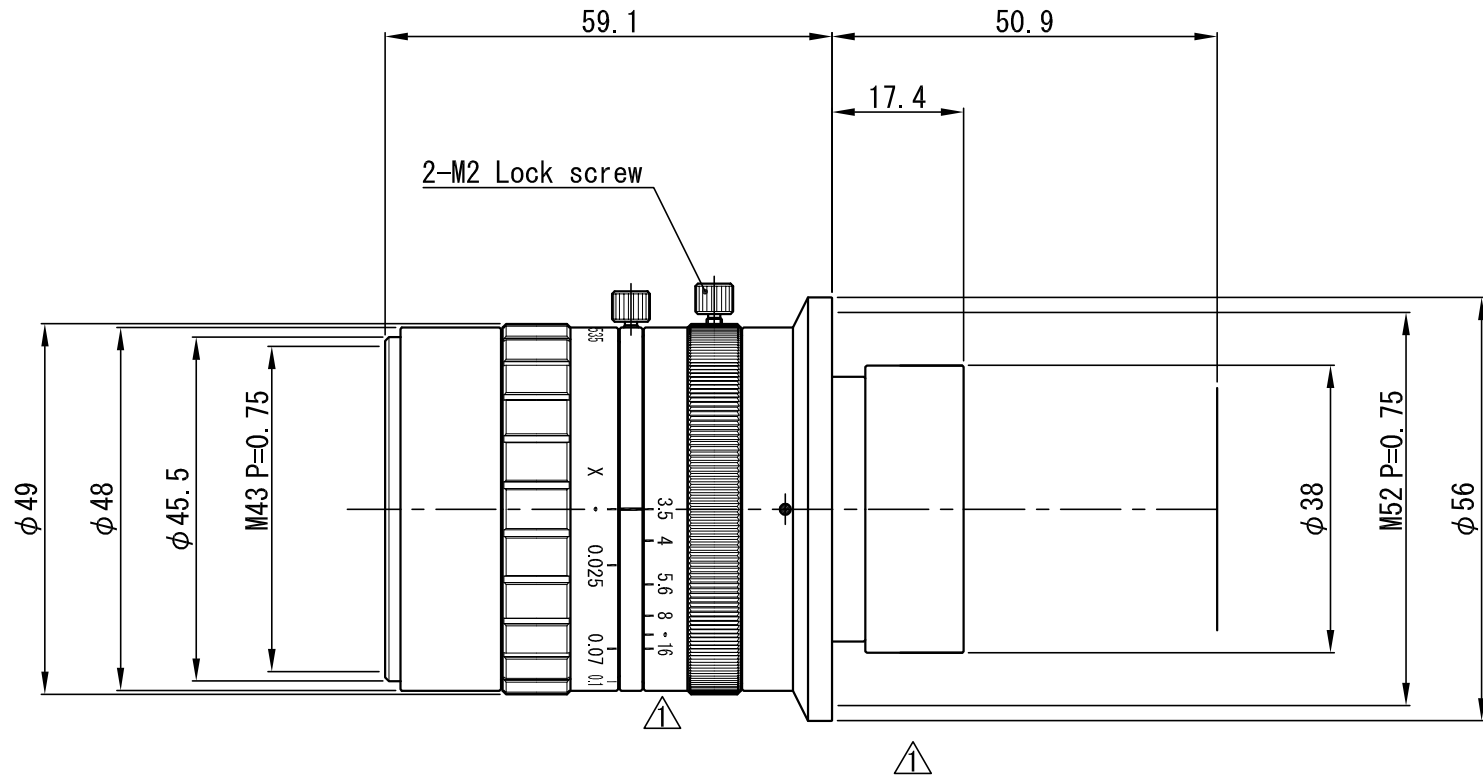


8K FFL for Super 35mm sensor

| | |
|----------------------------|----------------------------------|
| Model | VS-HX5035 |
| Focal Length (f) | 50 mm (50.51) |
| Maximum Aperture Ratio | 1: 3.5 |
| Aperture | F 3.5 ~ F 16 |
| Angle of View (Super 35mm) | 19.7° × 29.4° (Diagonal: 35.7°) |
| M.O.D | 488.8 mm |
| TV Distortion (Super 35mm) | -0.63 % |
| Operation | Manual (Lock screw M2) |
| Wavelength | Visible |
| Mount | M 52 P= 0.75 |
| Flange Back | 50.9 mm |
| Sensor Size (max.) | Super 35mm |
| Filter Thread | M 43 P= 0.75 |
| Weight (approx.) | 250 g |
| Dimension | ϕ 56 (max.) × L = 59.1 mm |



| | | | | | | | | | | | |
|--------|----------------------|----------|-------|----------|---------|------------------------|----------------------|-----------------|-----------|-----------------|---------------------|
| △× | | | | APPROVED | CHECKED | MATERIAL 材料 | - | CHAMFER 一般面取 | - | QUANTITY 個数 | |
| △× | | | | T. A. | T. A. | TREATMENT 処理 | - | FINISHING 仕上 | - | | |
| △× | | | | | | TREATMENT CONTACT 処理接点 | - | DECENTRATION 偏芯 | - | | |
| △× | | | | DESIGNED | DRAWN | OVER 250 UP TO 1000 | ±0.3 ±0.5 ±1.0 ±0.2 | ANGLE 角度 | METHOD 図法 | REMARK 適用 (機種名) | |
| △× | | | | H. M. | H. M. | OVER 63 UP TO 250 | ±0.2 ±0.3 ±0.6 ±0.15 | UNIT (mm) | - | VS-HX5035 | |
| △× 2 | 彫刻(最小絞り)ヲ変更、Fマウントヲ除去 | 20.03.25 | H. M. | | | OVER 16 UP TO 63 | ±0.1 ±0.2 ±0.4 ±0.1 | | | | SCALE |
| NO.×箇所 | REVISION 訂正事項 | DATE | NAME | | | OVER 0 UP TO 16 | ±0.05 ±0.1 ±0.2 ±0.1 | DATE | 19.11.20 | DRAW NO. | 01D S V 0 1 9 0 A 2 |
| | | | | | | TOLERANCES | A B C S | | | | |