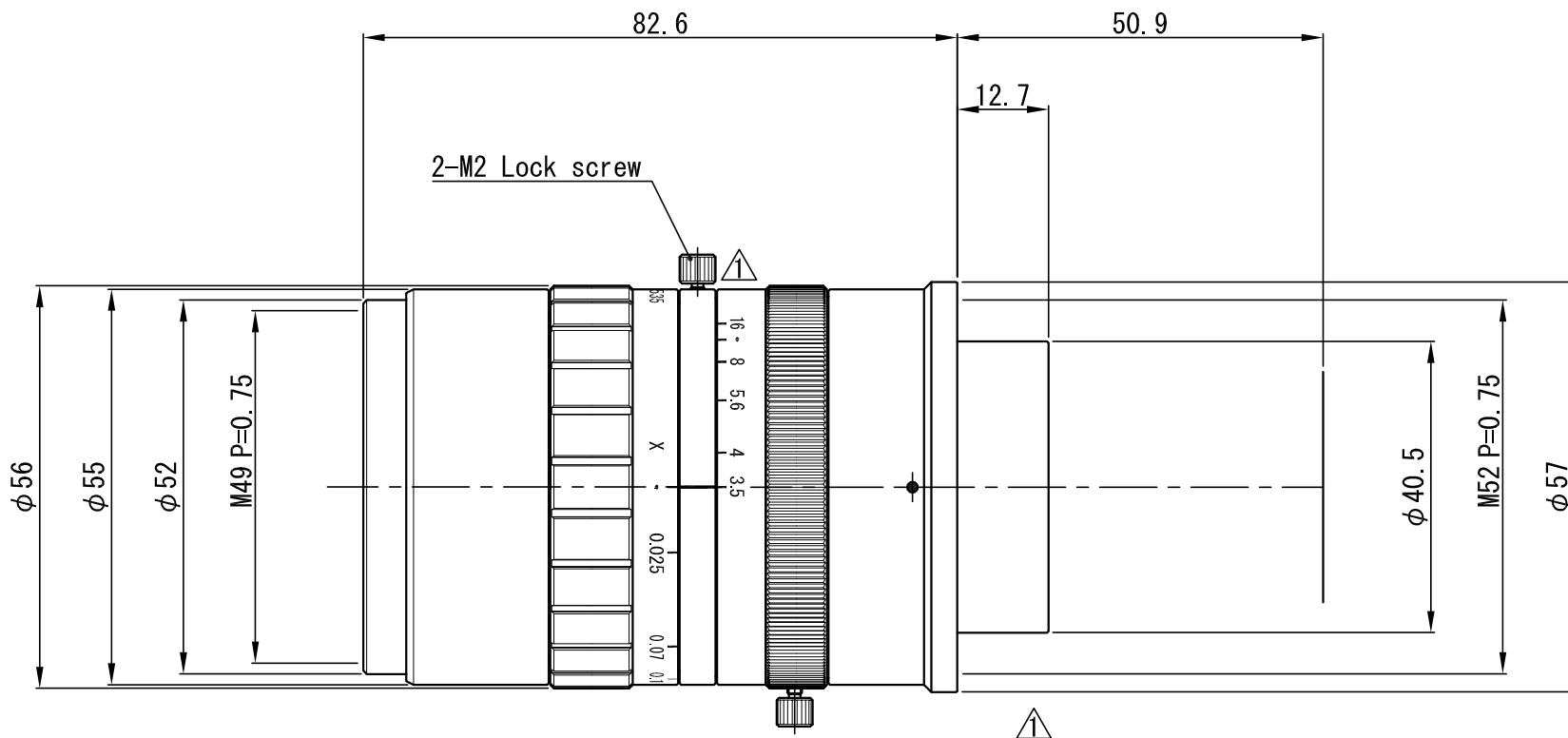


8K FFL for Super 35mm sensor

Model	VS-HX7535
Focal Length (f)	75 mm (75.00)
Maximum Aperture Ratio	1: 3.5
Aperture	F 3.5 ~ F 16
Angle of View (Super 35mm)	13.3° × 19.9° (Diagonal: 24.2° )
M.O.D	724.7 mm
TV Distortion (Super 35mm)	-0.32 %
Operation	Manual (Lock screw M2)
Wavelength	Visible
Mount	M 52 P= 0.75
Flange Back	50.9 mm
Sensor Size (max.)	Super 35mm
Filter Thread	M 49 P= 0.75
Weight (approx.)	430 g
Dimension	$\phi$ 57 (max.) × L = 82.6 mm



△ ×				APPROVED	CHECKED	MATERIAL 材料	-	CHAMFER 一般面取	-	QUANTITY 個数	
△ ×				T. A.	T. A.	TREATMENT 処理	-	FINISHING 仕上	-	X	
△ ×						TREATMENT CONTACT 処理接点	-	DECENTRATION 偏芯	-		
△ ×				DESIGNED	DRAWN	OVER 250 UP TO 1000	±0.3 ±0.5 ±1.0 ±0.2	ANGLE 角度	METHOD 図法	REMARK 適用 (機種名)	
△ ×				H. M.	H. M.	OVER 63 UP TO 250	±0.2 ±0.3 ±0.6 ±0.15	UNIT (mm)		VS - HX 75 35	
△ × 2	彫刻 (最小絞り) を変更、Fマウントヲ除去	20.03.25	H. M.			OVER 16 UP TO 63	±0.1 ±0.2 ±0.4 ±0.1				SCALE
NO. × 箇所	REVISION 訂正事項	DATE	NAME			TOLERANCES	A B C S	DATE	19.11.20	DRAW NO.	01D S V 0 1 9 1 A 2