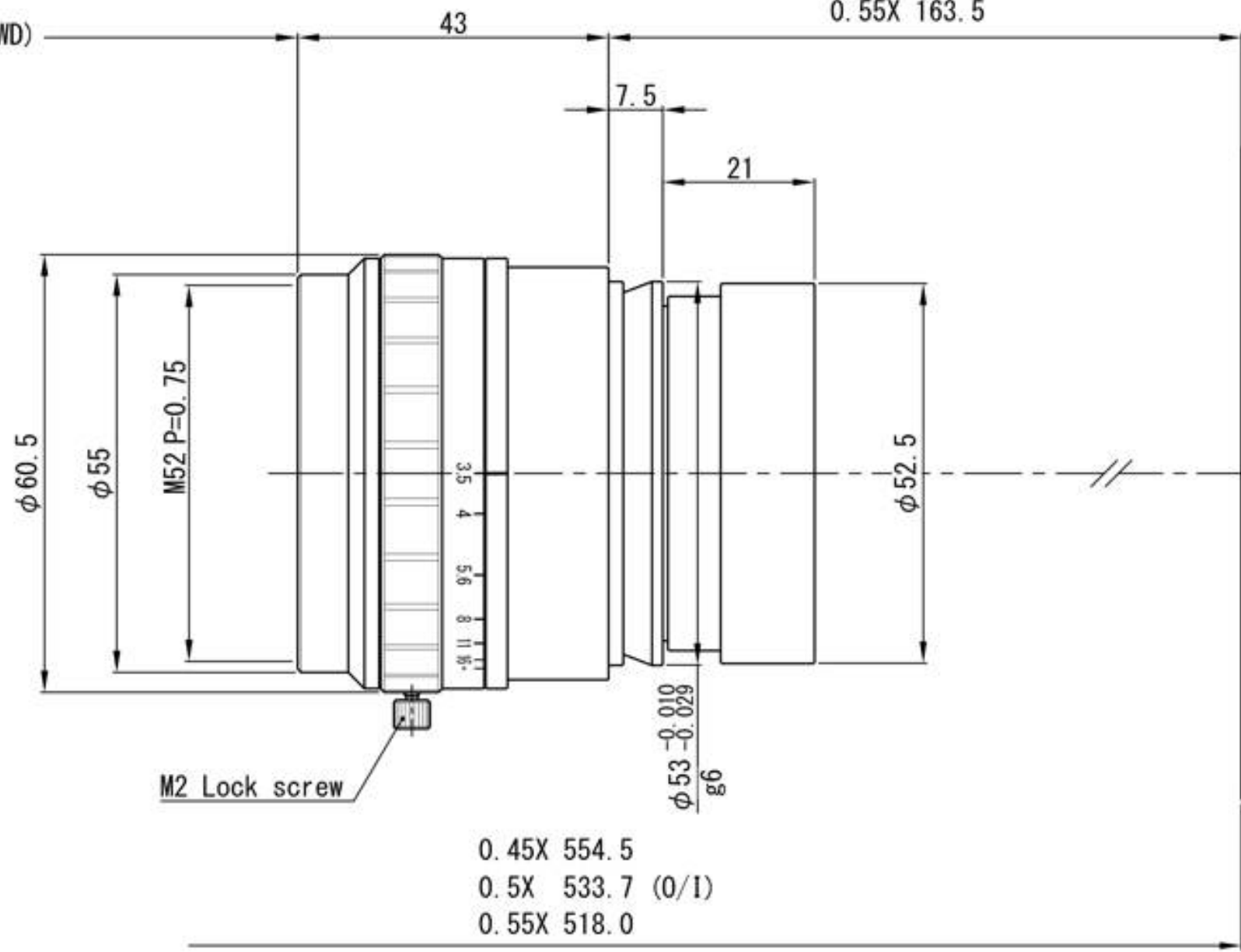


Line Scan Macro Lens

Model	VS-L12035-05/V		
Focal Length (f)	120 mm (120.05)		
Optical Mag.	× 0.45	× 0.5	× 0.55
WD	360.0 mm	333.2 mm	311.5 mm
O/I (Object & Imager Distance)	554.5 mm	533.7 mm	518.0 mm
Aperture	F 3.5 ~ 32		
Working F/# *Value at Iris Open	5.1	5.3	5.4
NA	0.044	0.047	0.051
DOF at PCoC ϕ 0.04mm	2.0 mm	1.7 mm	1.4 mm
Optical Distortion (Y=45)	0.05 %		
Relative Illuminance (Y=45)	83 %		
Operation	Manual (Lock Screw M2)		
Wavelength	Visible		
Mount	V-Mount		
Flange Back	151.5 mm	157.5 mm	163.5 mm
Image Circle	ϕ 90 mm		
Filter Thread	M 52 P= 0.75		
Weight (approx.)	390 g		
Dimension	ϕ 60.5 (max.) × L = 43 mm		

0.45X 360.0
 0.5X 333.2 (WD)
 0.55X 311.5

0.45X 151.5
 0.5X 157.5 (FB)
 0.55X 163.5



0.45X 554.5
 0.5X 533.7 (0/1)
 0.55X 518.0