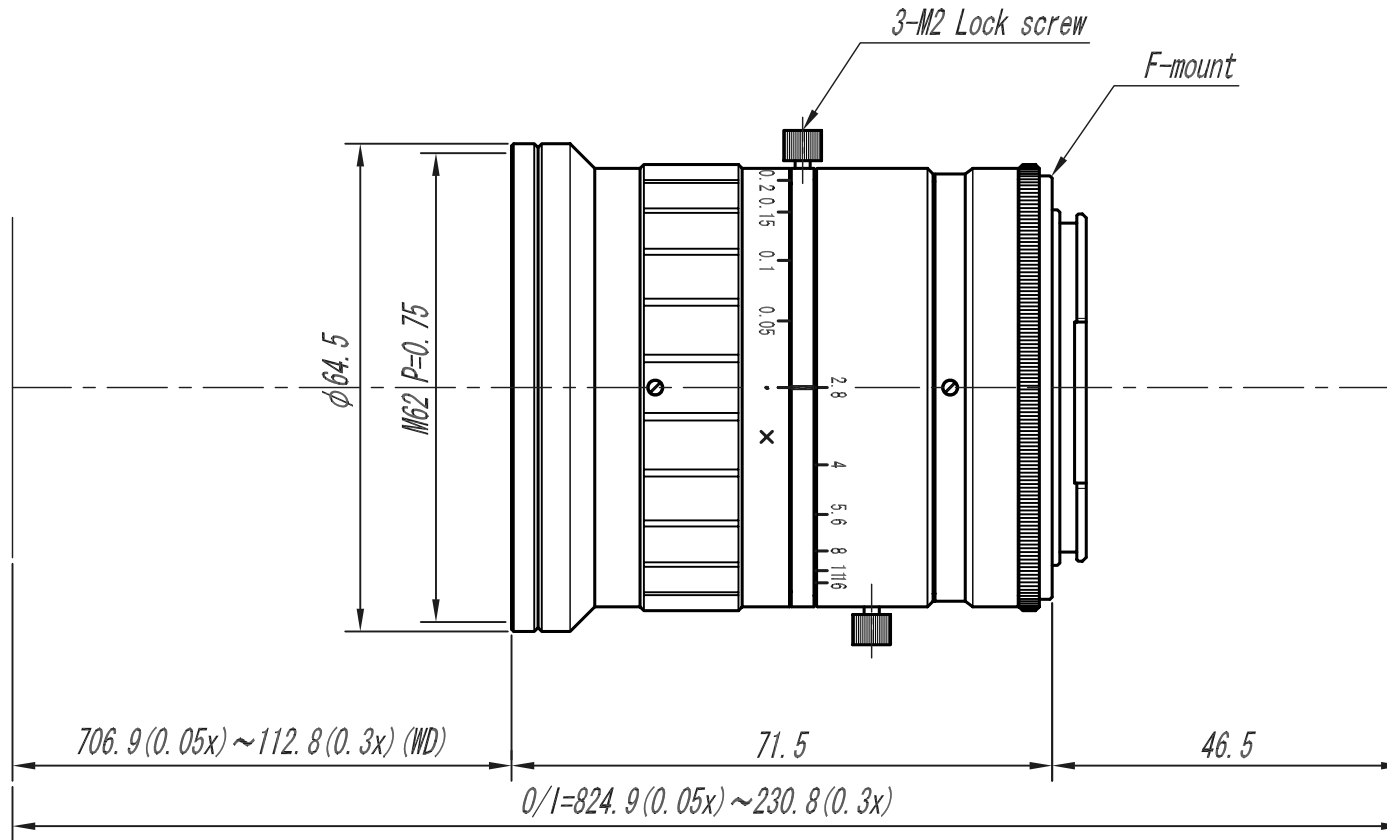


Macro lens for large format

Model	VS-L3528/F			
Focal length (f)	35mm (36.19)			
Optical mag. range	$(\infty) \times 0.05 \sim \times 0.3$			
Optical mag.	$\times 0.05$	$\times 0.1$	$\times 0.2$	$\times 0.3$
WD	706.9mm	346.8mm	169.5mm	112.8mm
O/I (Object & Imager distance)	824.9mm	464.8mm	287.5mm	230.8mm
Aperture	2.8~16			
Working F/# *Value at Iris open	2.84	2.98	3.25	3.52
DOF at PCoC ϕ 0.04mm	90.9mm	23.8mm	6.5mm	3.1mm
TV distortion (max.)	-0.09%			
Operation of iris & focus	Manual (Lock screw M2)			
Wavelength	Visible (400nm - 700nm)			
Mount	F-mount			
Flange back	46.5mm			
Image circle	ϕ 45			
Filter thread	M62 P=0.75			
Weight (approx.)	355g			
Dimension	ϕ 64.5(MAX) x L=71.5mm			



Focal length (f) : 35mm
 Maximum aperture ratio : 1:2.8
 Optical mag. range : (∞) ~ 0.3x
 Image circle : $\phi 45$

△				APPROVED	CHECKED	MATERIAL 材料		CHAMFER 一般面取		QUANTITY 個數	
△				T. A.	T. M.	TREATMENT 処理		FINISHING 仕上			
△						TREATMENT CONTACT 処理接点		DECENTRATION 偏芯			
△				DESIGNED	DRAWN	OVER 250 UP TO 1000	±0.3 ±0.5 ±1.0 ±0.2	ANGLE 角度	METHOD 図法	REMARK 適用 (機種名)	
△				T. A.	S. K.	OVER 63 UP TO 250	±0.2 ±0.3 ±0.6 ±0.15	UNIT (mm)		VS-L3528/F	
△						OVER 16 UP TO 63	±0.1 ±0.2 ±0.4 ±0.1				SCALE
	DATE	EXCH NO.	REVISION 変更記事			TOLERANCES	A B C S	DATE	'08.08.25	DRAW NO.	ODMC0162A1