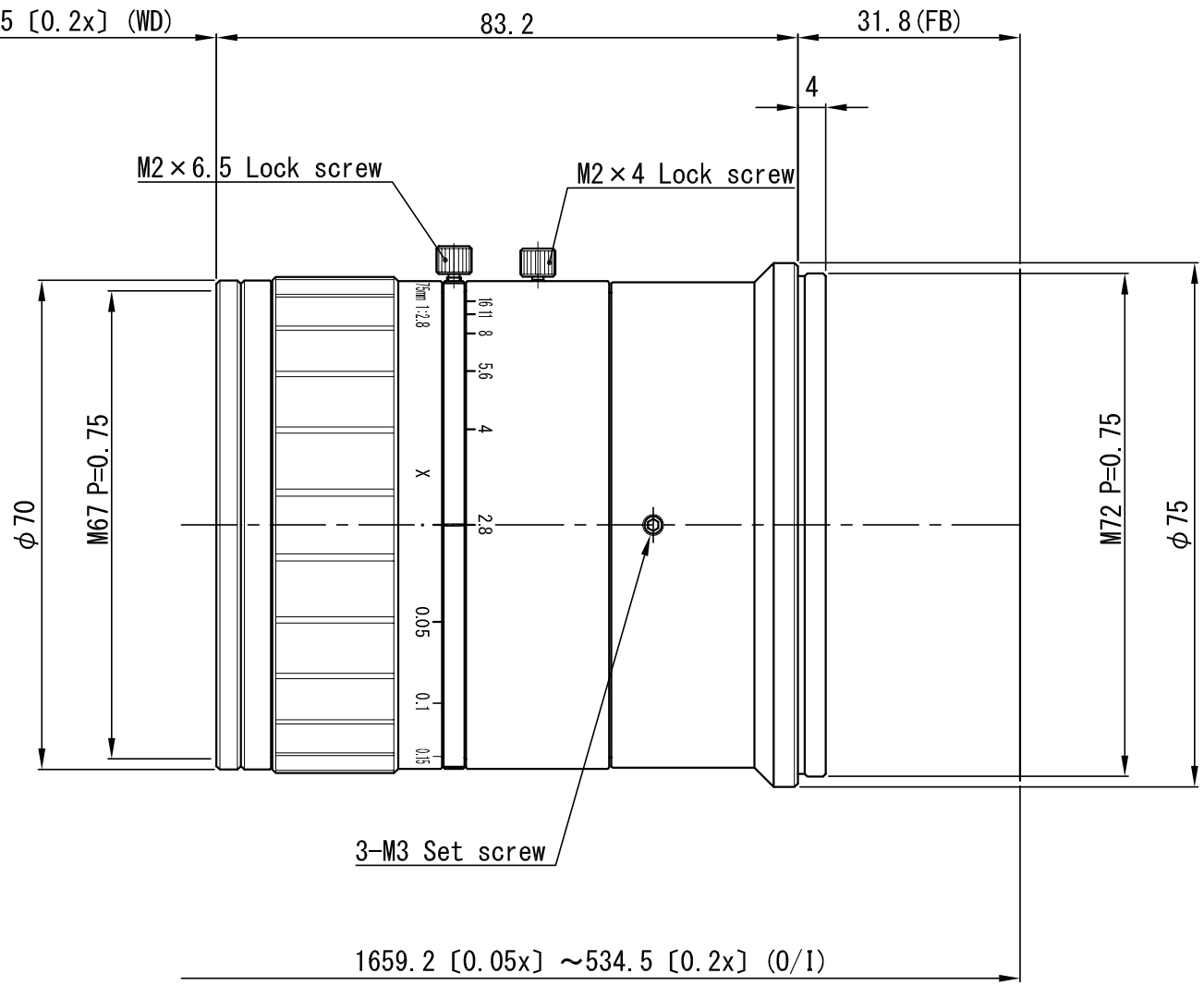


Line Scan Macro Lens

Model	VS-L7528/M72-31.8			
Focal Length (f)	75 mm (75.74)			
Optical Mag. Range	$(\infty) \times 0.05 \sim \times 0.2$			
Optical Mag.	$\times 0.05$	$\times 0.1$	$\times 0.15$	$\times 0.2$
WD	1544.2 mm	790.6 mm	541.9 mm	419.5 mm
O/I (Object & Imager Distance)	1659.2 mm	905.6 mm	656.9 mm	534.5 mm
Aperture	F 2.8 \sim 16			
Working F/# *Value at Iris Open	3.0	3.1	3.3	3.4
NA	0.083	0.016	0.023	0.029
DOF at PCoC ϕ 0.04mm	96.0 mm	24.8 mm	11.7 mm	6.8 mm
Optical Distortion (Y=36.5)	-0.66 %			
Relative Illuminance (Y=36.5)	45 %			
Operation	Manual (Lock Screw M2)			
Wavelength	Visible			
Mount	M72 P=0.75			
Flange Back	31.8 mm			
Image Circle	ϕ 73 mm			
Filter Thread	M 67 P= 0.75			
Weight (approx.)	440 g			
Dimension	ϕ 75 (max.) \times L = 83.2 mm			



△×				APPROVED	CHECKED	MATERIAL 材料	-	CHAMFER 一般面取	-	QUANTITY 個数	
△×				T. A.	T. A.	TREATMENT 処理	-	FINISHING 仕上	-	-	
△×						TREATMENT CONTACT 処理接点	-	DECENTRATION 偏芯	-		
△×				DESIGNED	DRAWN	OVER 250 UP TO 1000	±0.3 ±0.5 ±1.0 ±0.2	ANGLE 角度	METHOD 図法	REMARK 適用 (機種名)	
△×				T. A.	M. M.	OVER 63 UP TO 250	±0.2 ±0.3 ±0.6 ±0.15	UNIT (mm)	-	VS-L7528 / M72-31.8	
△×						OVER 16 UP TO 63	±0.1 ±0.2 ±0.4 ±0.1				SCALE
△×						OVER 0 UP TO 16	±0.05 ±0.1 ±0.2 ±0.1	DATE	17.11.07	DRAW NO.	010E1089A1
NO. × 箇所	REVISION 訂正事項	DATE	NAME			TOLERANCES	A B C S				