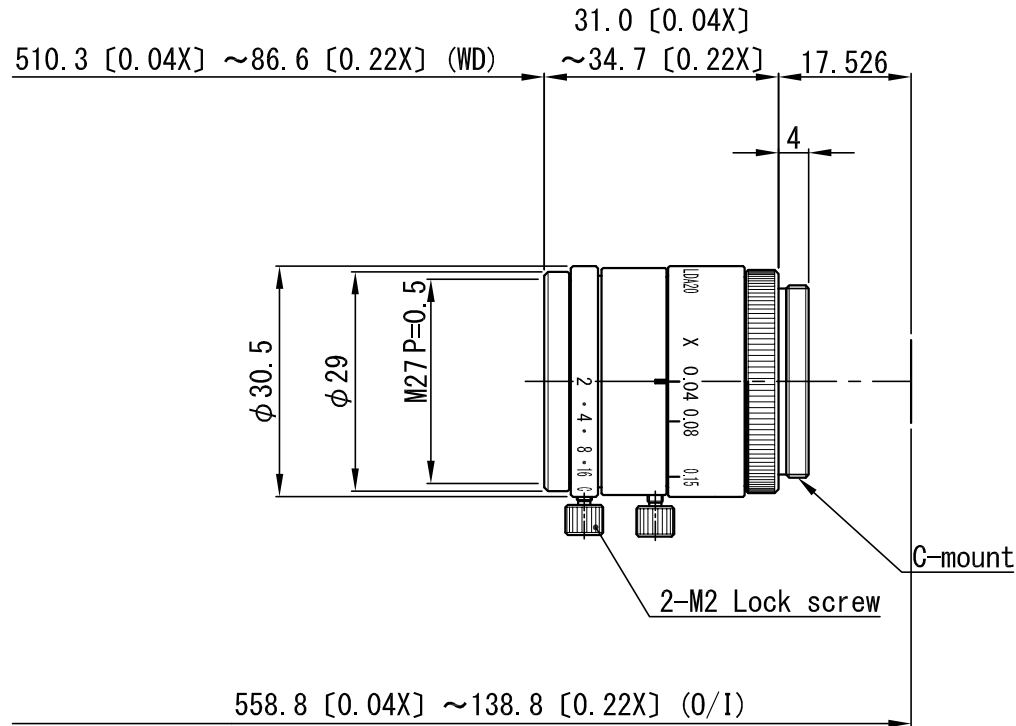


Distortionless Macro Lens

| Model | | VS-LDA20 | | | |
|---------------------------------|------|---|--------------|-------------|-------------|
| Focal Length(f) | | 20 mm (20.71) | | | |
| Maximum Aperture Ratio | | 1: 2.0 | | | |
| Optical Mag. Range | | × 0.04 ~ × 0.22 | | | |
| Optical Mag. | | × 0.04 | × 0.08 | × 0.15 | × 0.22 |
| FOV (V x H) | 2/3" | 177.5 × 210.0 | 88.8 × 105.0 | 47.3 × 56.0 | 32.3 × 38.2 |
| | 1/2" | 120.0 × 160.0 | 60.0 × 80.0 | 32.0 × 42.7 | 21.8 × 29.1 |
| | 1/3" | 90.0 × 120.0 | 45.0 × 60.0 | 24.0 × 32.0 | 16.4 × 21.8 |
| WD | | 510.3 mm | 251.3 mm | 130.5 mm | 86.6 mm |
| O/I (Object & Imager Distance) | | 558.8 mm | 300.6 mm | 181.3 mm | 138.8 mm |
| Working F/# *Value at Iris Open | | 2.1 | 2.2 | 2.3 | 2.3 |
| DOF at PCoC ϕ 0.04mm | | 105.0 mm | 27.5 mm | 8.2 mm | 3.8 mm |
| TV Distortion (2/3") | | -0.01 % | -0.05 % | -0.12 % | -0.17 % |
| Wavelength | | Visible | | | |
| Mount | | C-Mount | | | |
| Flange Back | | 17.526 mm | | | |
| Sensor Size (max.) | | 2/3" | | | |
| Filter Thread | | M 27 P= 0.5 | | | |
| Weight (approx.) | | 47 g | | | |
| Dimension | | ϕ 30.5 (max.) × L = 31.0 (×0.04) ~ 34.7 (×0.22) mm | | | |



| | | | | | | | | | | | |
|--------------------|---------------|------|------|------------|----------|------------------------|-----------------|-----------------|-----------|-------------|---|
| $\triangle \times$ | | | | APPROVED | CHECKED | MATERIAL 材料 | - | CHAMFER 一般面取 | - | QUANTITY 个数 | |
| $\triangle \times$ | | | | T. A. | T. A. | TREATMENT 処理 | - | FINISHING 仕上 | - | - | |
| $\triangle \times$ | | | | | | TREATMENT CONTACT 処理接点 | - | DECENTRATION 偏芯 | - | | |
| $\triangle \times$ | | | | DESIGNED | DRAWN | OVER 250 UP TO 1000 | ± 0.3 | ± 0.5 | ± 1.0 | ± 0.2 | |
| $\triangle \times$ | | | | T. A. | M. M. | OVER 63 UP TO 250 | ± 0.2 | ± 0.3 | ± 0.6 | ± 0.15 | |
| $\triangle \times$ | | | | | | OVER 16 UP TO 63 | ± 0.1 | ± 0.2 | ± 0.4 | ± 0.1 | |
| $\triangle \times$ | | | | | | OVER 0 UP TO 16 | ± 0.05 | ± 0.1 | ± 0.2 | ± 0.1 | |
| NO. x 箇所 | REVISION 訂正事項 | DATE | NAME | TOLERANCES | | | | A | B | C | S |
| | | | | UNIT (mm) | ANGLE 角度 | METHOD 図法 | REMARK 適用 (機種名) | | | | |
| | | | | SCALE | 1 / 1 | NAME | VS-LDA20 | | | | |
| | | | | DATE | 16.08.09 | DRAW NO. | 01DLD0043A1 | | | | |
| | | | | 外観図 | | | | | | | |