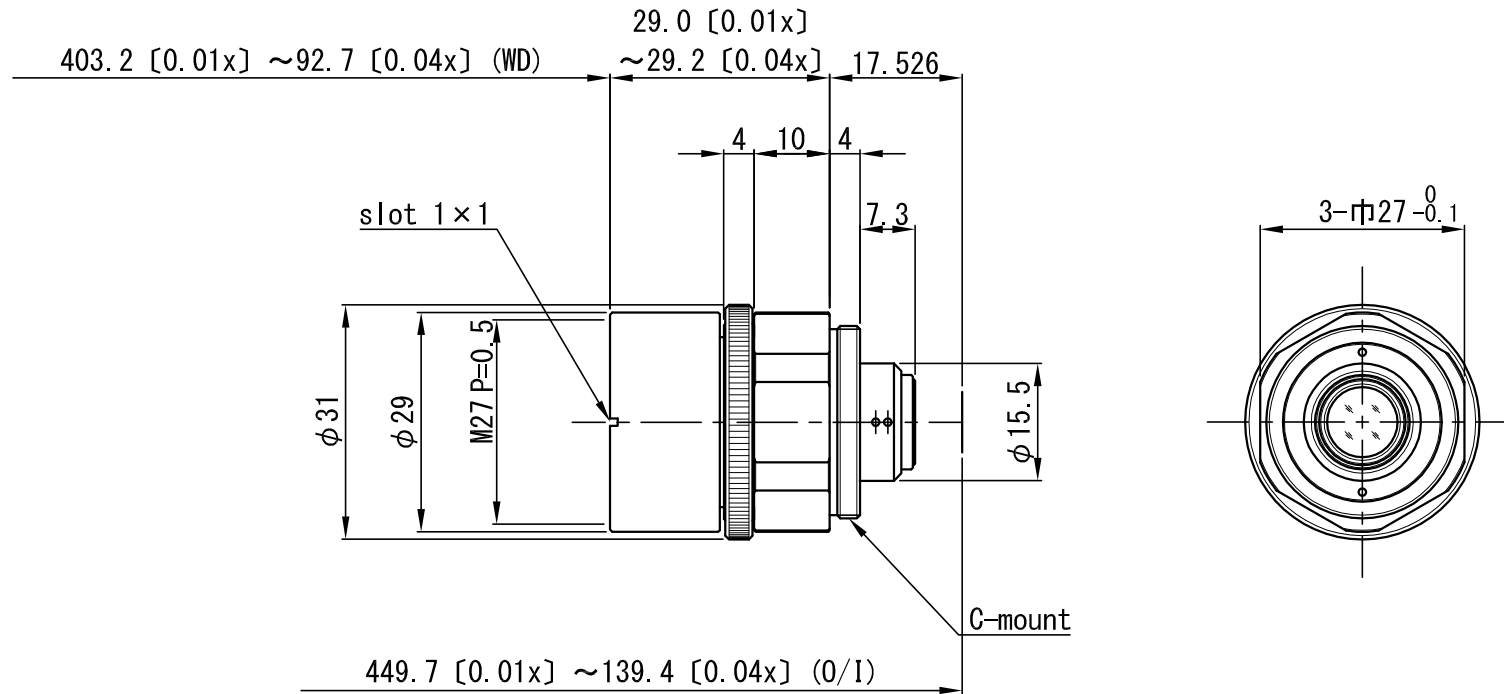


Vibration Resistant Distortionless Lens

Model		VS-MCA4								
Focal Length(f)		4 mm (4.14)								
Maximum Aperture Ratio		1: 2.0								
Optical Mag. Range		(∞) × 0.01 ~ × 0.04								
Optical Mag.		× 0.01		× 0.02			× 0.04			
FOV (V x H)	2/3"	-								
	1/2"	480.0 × 640.0 mm		240.0 × 320.0 mm			120.0 × 160.0 mm			
	1/3"	360.0 × 480.0 mm		180.0 × 240.0 mm			90.0 × 120.0 mm			
WD		403.2 mm		196.2 mm			92.7 mm			
O/I (Object & Imager Distance)		449.7 mm		242.8 mm			139.4 mm			
Aperture		2	5.6	8	2	5.6	8	2	5.6	8
Working F/#		2.1	5.7	8.1	2.1	5.7	8.2	2.1	5.8	8.3
TV Distortion (1/2")		-0.23 %		-0.23 %			-0.24 %			
Operation		Manual								
Wavelength		Visible								
Mount		C-Mount								
Flange Back		17.526 mm								
Sensor Size (max.)		1/2"								
Filter Thread		M 27 P= 0.5								
Weight (approx.)		44 g								
Dimension		ϕ 31 (max.) × L = 29 (X0.01) ~ 29.2 (X0.04) mm								

※ Note: Available with MC Focus Locking System, FNO (Iris Open) 5 .6 & 8



△×				APPROVED	CHECKED	MATERIAL 材料	-	CHAMFER 一般面取	-	QUANTITY 個数	
△×				T. A.	T. A.	TREATMENT 処理	-	FINISHING 仕上	-	-	
△×						TREATMENT CONTACT 処理接点	-	DECENTRATION 偏芯	-		
△×				DESIGNED	DRAWN	OVER 250 UP TO 1000	±0.3 ±0.5 ±1.0 ±0.2	ANGLE 角度	METHOD 図法	REMARK 適用 (機種名)	
△×				T. A.	T. T.	OVER 63 UP TO 250	±0.2 ±0.3 ±0.6 ±0.15	UNIT (mm)	-	VS-MCA4	
△×						OVER 16 UP TO 63	±0.1 ±0.2 ±0.4 ±0.1				SCALE
△×						OVER 0 UP TO 16	±0.05 ±0.1 ±0.2 ±0.1	DATE	17.04.05	DRAW NO.	01D MC 0367A 1
NO. × 箇所	REVISION 訂正事項	DATE	NAME			TOLERANCES	A B C S				