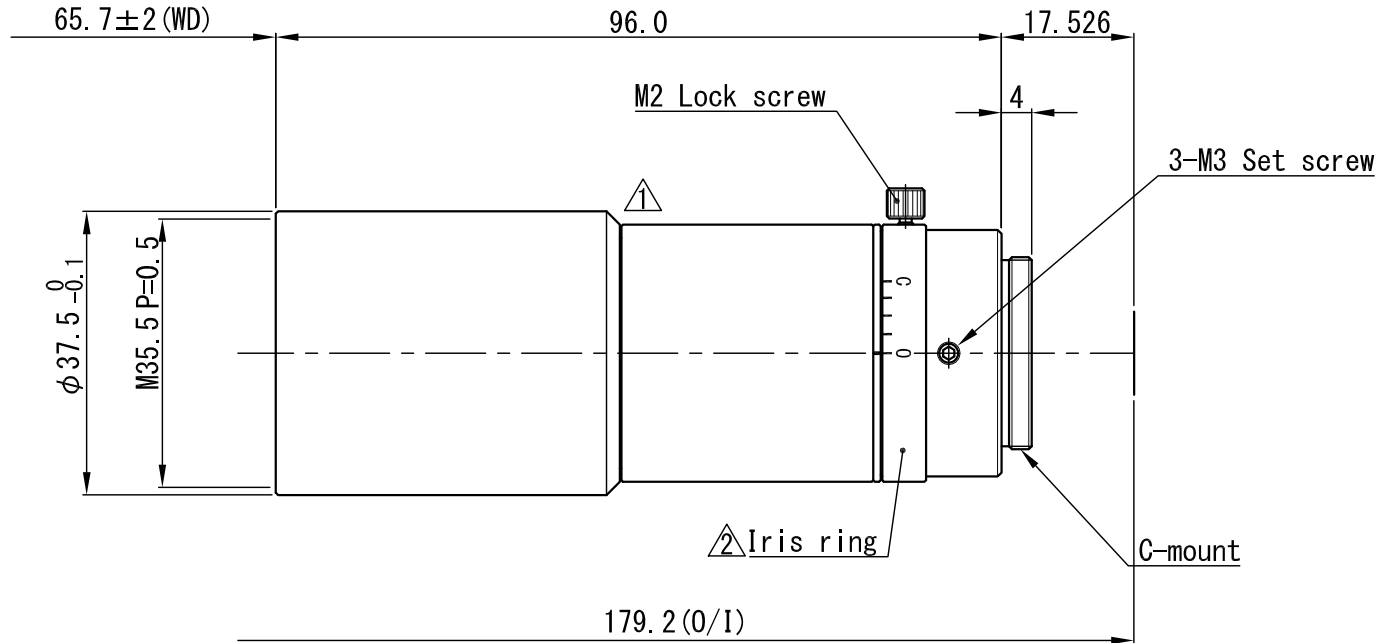


Ultra-High Resolution Telecentric Lens

Model		VS-TCT05-65/S			
Optical Mag.		× 0.5 ± 5 %			
FOV (V x H)	2/3"	14.2	×	16.8	mm
	1/2"	9.6	×	12.8	mm
	1/3"	7.2	×	9.6	mm
WD		65.7 mm ± 2			
O/I (Object & Imager Distance)		179.2 mm			
Working F/# *Value at Iris Open		4.5			
NA		0.056			
DOF at PCoC $\phi$ 0.04mm		1.4 mm			
TV Distortion (2/3")		0.00 %			
Relative Illuminance (Y=5.5)		97 %			
Wavelength		Visible			
Mount		C-Mount			
Flange Back		17.526 mm			
Sensor Size (max.)		2/3"			
Co-Axial Prism		-			
Filter Thread		M 35.5 P= 0.5			
Weight (approx.)		205 g			
Dimension		$\phi$ 37.5 (max.)	×	L =	96 mm



△×				APPROVED	CHECKED	MATERIAL 材料	-	CHAMFER 一般面取	-	QUANTITY 個数											
△×				T. A.	T. A.	TREATMENT 処理	-	FINISHING 仕上	-	-											
△×						TREATMENT CONTACT 処理接点	-	DECENTRATION 偏芯	-												
△×				DESIGNED	DRAWN	OVER 250 UP TO 1000	±0.3	±0.5	±1.0	±0.2	UNIT (mm)	ANGLE 角度	METHOD 図法	REMARK 適用 (機種名)							
△× 1	Iris ring表記追加	19.03.03	T. F.			OVER 63 UP TO 250	±0.2	±0.3	±0.6	±0.15					-	⊕	VS-TCT05-65/S				
△× 1	形状変更	16.08.23	T. T.			OVER 16 UP TO 63	±0.1	±0.2	±0.4	±0.1								SCALE	1 / 1	NAME	DRAWING / 外觀図
NO.×箇所	REVISION 訂正事項	DATE	NAME			OVER 0 UP TO 16	±0.05	±0.1	±0.2	±0.1											
						TOLERANCES	A	B	C	S											