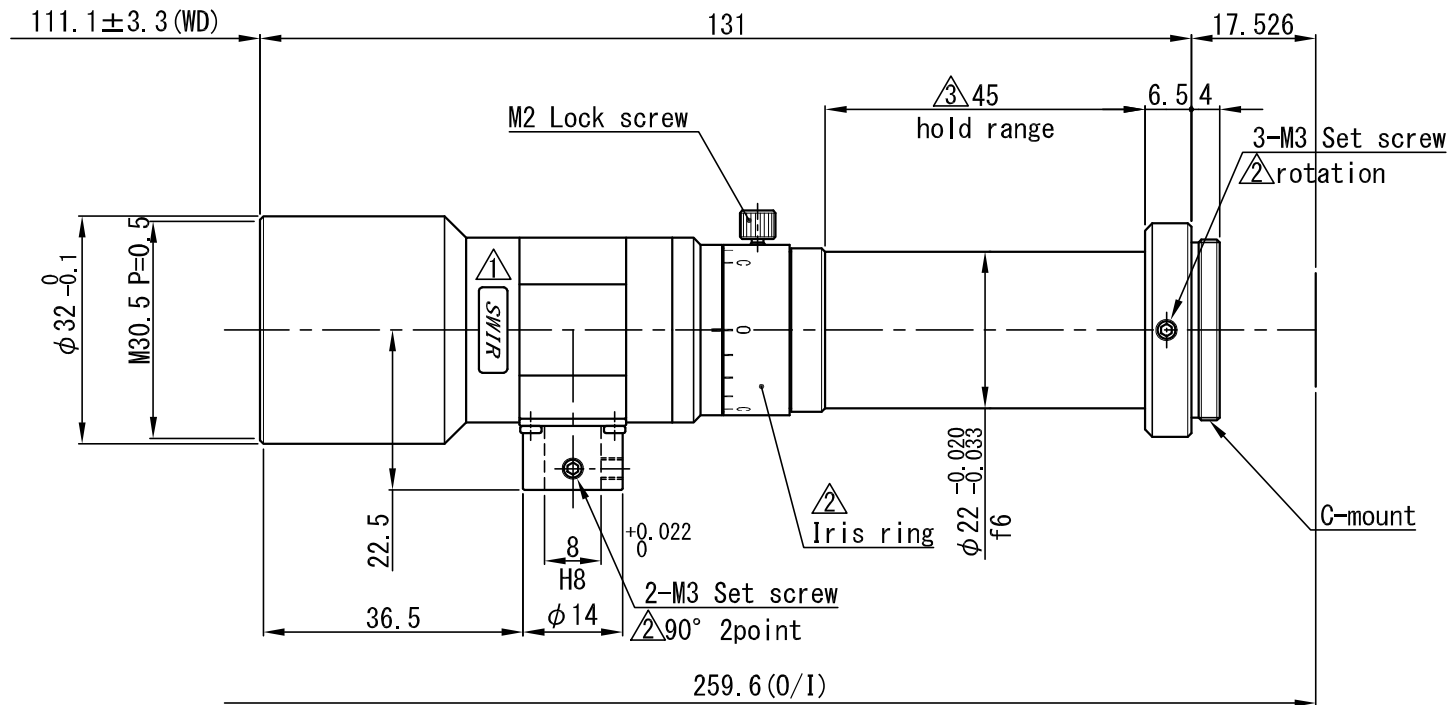


1" Telecentric Lens

Model	VS-THV1-110CO/S-SWIR			
Optical Mag.	× 1.0		± 5 %	
FOV (V x H)	1"	11.3	×	11.3 mm
	2/3"	7.1	×	8.4 mm
	1/2"	4.8	×	6.4 mm
WD	111.1 mm		± 3.3	
O/I (Object & Imager Distance)	259.6 mm			
Working F/# *Value at Iris Open	10.5			
NA	0.048			
DOF at PCoC ϕ 0.04mm	0.8 mm			
TV Distortion (1")	0.02 %			
Relative Illuminance (Y=8)	98 %			
Wavelength	Short Wave IR			
Mount	C-Mount			
Flange Back	17.526 mm			
Sensor Size (max.)	1"			
Co-Axial Prism	Built-in			
Filter Thread	M 30.5 P= 0.5			
Weight (approx.)	128 g			
Dimension	ϕ 32	(max.)	×	L = 131 mm



$\Delta \times$				APPROVED	CHECKED	MATERIAL 材料	-	CHAMFER 一般面取	-	QUANTITY 個数				
$\Delta \times$				T. A.	S. U.	TREATMENT 処理	-	FINISHING 仕上	-	-				
$\Delta \times$						TREATMENT CONTACT 処理接点	-	DECENTRATION 偏芯	-					
$\Delta \times 1$	ホルト 範囲追記	20.10.08	R. H.	DESIGNED	DRAWN	OVER 250 UP TO 1000	± 0.3	± 0.5	± 1.0	± 0.2	ANGLE 角度	METHOD 図法	REMARK 適用 (機種名)	
$\Delta \times 3$	rotation・Iris ring表記追加 同軸部注記追加	20.06.30	T. F.			UNIT (mm)	-	\oplus	VS-THV1-110CO/S-SWIR					
$\Delta \times 1$	SWIR用ラベル追記	19.10.28	H. M.			OVER 16 UP TO 63	± 0.1	± 0.2	± 0.4	± 0.1	SCALE	1 / 1	NAME	外観図 / DRAWING
NO. x 箇所	REVISION 訂正事項	DATE	NAME	S. U.	S. U.	OVER 0 UP TO 16	± 0.05	± 0.1	± 0.2	± 0.1	DATE	17.11.22	DRAW NO.	0DTTC0586A4
						TOLERANCES	A	B	C	S				