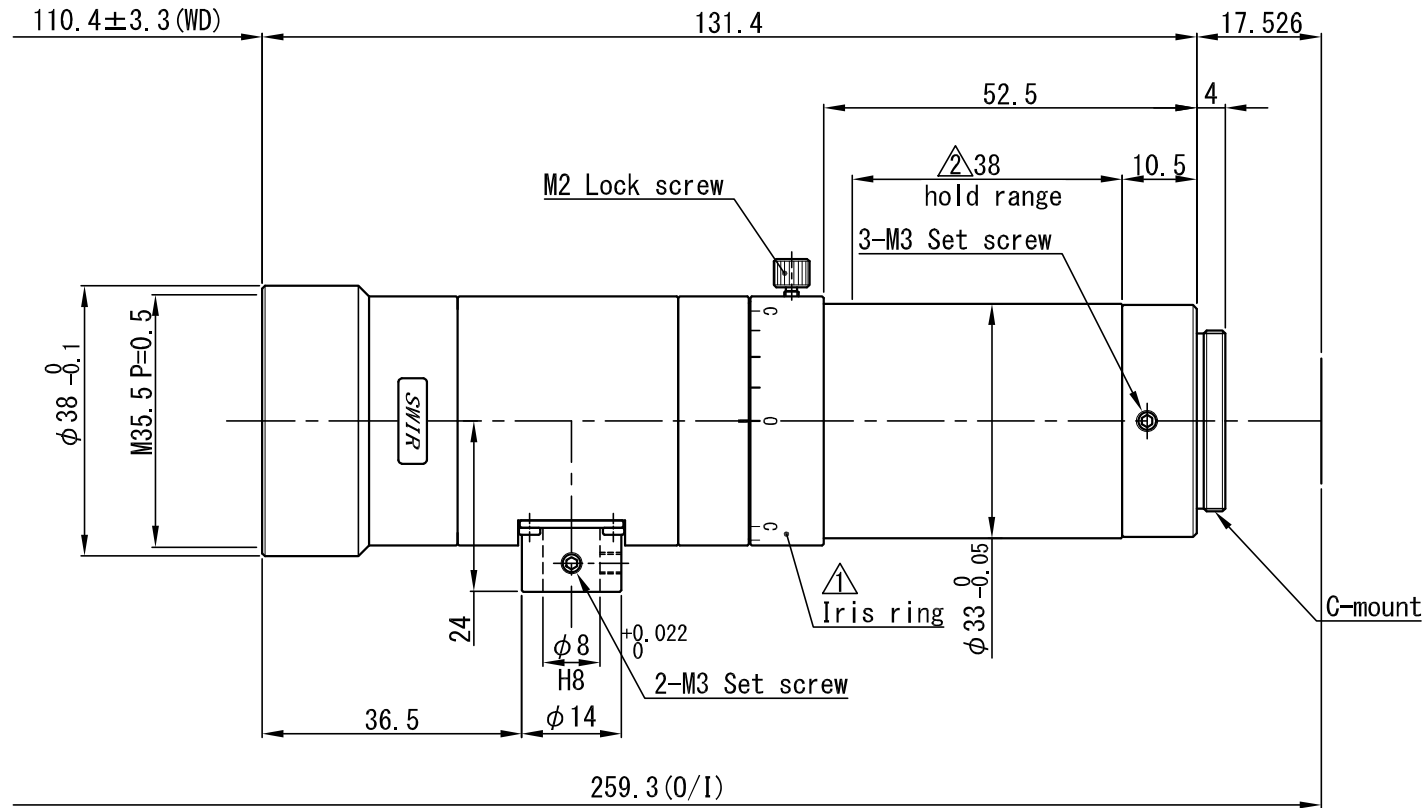


High Resolution Telecentric Lens for 1.1"

Model	VS-THV1.5-110CO/S-SWIR			
Optical Mag.	× 1.5		± 5 %	
FOV (V x H)	1.1"	6.9	×	9.4 mm
	1"	7.5	×	7.5 mm
	2/3"	4.7	×	5.6 mm
WD	110.4 mm		± 3.3	
O/I (Object & Imager Distance)	259.3 mm			
Working F/# *Value at Iris Open	10.0			
NA	0.075			
DOF at PCoC ϕ 0.04mm	0.4 mm			
TV Distortion (1.1")	0.03 %			
Relative Illuminance (Y=8.8)	99 %			
Wavelength	Short Wave IR			
Mount	C-Mount			
Flange Back	17.526 mm			
Sensor Size (max.)	1.1"			
Co-Axial Prism	Built-in			
Filter Thread	M	35.5	P=	0.5
Weight (approx.)	215 g			
Dimension	ϕ	38	(max.) ×	L = 131.4 mm



$\triangle \times$				APPROVED	CHECKED	MATERIAL 材料	-	CHAMFER 一般面取	-	QUANTITY 個数
$\triangle \times$				T. A.	T. A.	TREATMENT 処理	-	FINISHING 仕上	-	QUANTITY 個数
$\triangle \times$						TREATMENT CONTACT 処理接点	-	DECENTRATION 偏芯	-	
$\triangle \times 1$	ホルト [®] 範囲追加	20.10.08	R. H.	DESIGNED	DRAWN	OVER 250 UP TO 1000	± 0.3 ± 0.5 ± 1.0 ± 0.2	ANGLE 角度	METHOD 図法	REMARK 適用 (機種名)
$\triangle \times 1$	Irisring表記追加	20.07.14	T. F.	T. A.	H. M.	OVER 63 UP TO 250	± 0.2 ± 0.3 ± 0.6 ± 0.15	UNIT (mm)	-	VS-THV1.5-110C0/S-SWIR
						OVER 16 UP TO 63	± 0.1 ± 0.2 ± 0.4 ± 0.1			
NO. x 箇所	REVISION 訂正事項	DATE	NAME			OVER 0 UP TO 16	± 0.05 ± 0.1 ± 0.2 ± 0.1	DATE	19.11.20	DRAW NO.
						TOLERANCES	A B C S			0 D T C 0 6 2 1 A 3