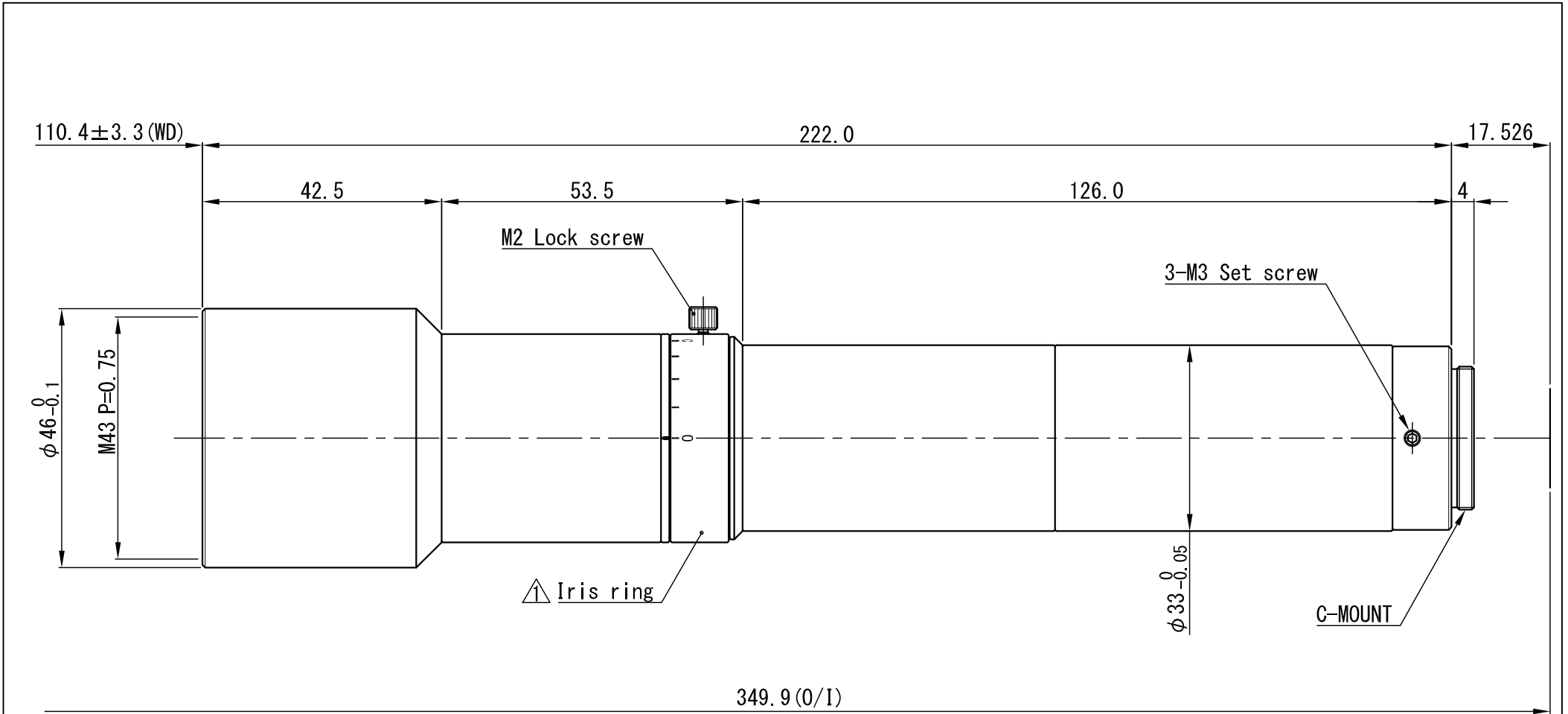


High Resolution Telecentric Lens for 1.1"

Model		VS-THV4-110/S			
Optical Mag.		× 4.0 ± 5 %			
FOV (V x H)	1.1"	2.6	×	3.5	mm
	1"	2.8	×	2.8	mm
	2/3"	1.8	×	2.1	mm
WD		110.4 mm ± 3.3			
O/I (Object & Imager Distance)		349.9 mm			
Working F/# *Value at Iris Open		15.4			
NA		0.130			
DOF at PCoC ϕ 0.04mm		0.08 mm			
TV Distortion (1.1")		0.05 %			
Relative Illuminance (Y=8.8)		99 %			
Wavelength		Visible			
Mount		C-Mount			
Flange Back		17.526 mm			
Sensor Size (max.)		1.1"			
Co-Axial Prism		-			
Filter Thread		M 43 P= 0.75			
Weight (approx.)		410 g			
Dimension		ϕ 46 (max.)	×	L =	222 mm



△ ×				APPROVED	CHECKED	MATERIAL 材料	-	CHAMFER 一般面取	-	QUANTITY 個数	
△ ×				T. A.	T. A.	TREATMENT 処理	-	FINISHING 仕上	-	X	
△ ×						TREATMENT CONTACT 処理接点	-	DECENTRATION 偏芯	-		
△ ×				DESIGNED	DRAWN	OVER 250 UP TO 1000	±0.3 ±0.5 ±1.0 ±0.2	ANGLE 角度	METHOD 図法	REMARK 適用 (機種名)	
△ ×				T. A.	H. M.	OVER 63 UP TO 250	±0.2 ±0.3 ±0.6 ±0.15	UNIT (mm)	-		VS - THV 4 - 110 / S
△ × 1	操作リング表記追加	20.06.30	T. F.			OVER 16 UP TO 63	±0.1 ±0.2 ±0.4 ±0.1				
NO. × 箇所	REVISION 訂正事項	DATE	NAME			OVER 0 UP TO 16	±0.05 ±0.1 ±0.2 ±0.1	DATE	20.04.17	DRAW NO.	01DTC0629A2
						TOLERANCES	A B C (S)				