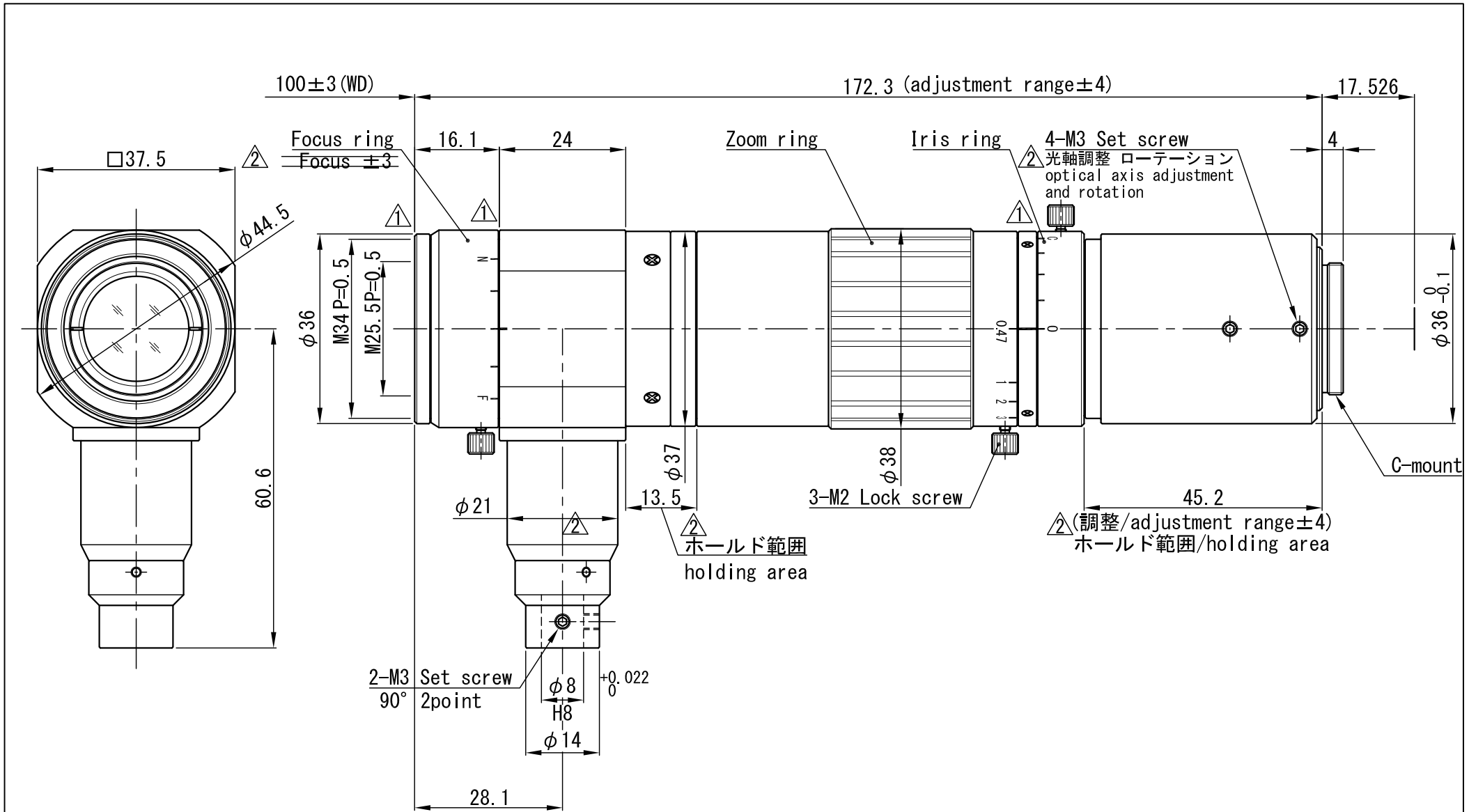


Zoom Lens

Model		VSZ-0530CO		
Optical Mag. Range		× 0.47 ~ × 3.0		
Optical Mag.		× 0.47	× 1.2	× 3.0
FOV (V × H)	1/1.8"	11.5 × 15.1 mm	4.5 × 5.9 mm	1.8 × 2.4 mm
	1/2"	10.2 × 13.6 mm	4.0 × 5.3 mm	1.6 × 2.1 mm
	1/3"	7.7 × 10.2 mm	3.0 × 4.0 mm	1.2 × 1.6 mm
WD		100.0 mm ± 3		
O/I (Object & Imager Distance)		289.8 mm		
Working F/# *Value at Iris Open		6.9	9.3	19.8
NA		0.034	0.065	0.076
DOF at PCoC ϕ 0.04mm		2.5 mm	0.5 mm	0.2 mm
TV Distortion (1/1.8")		-0.09 %	0.12 %	0.11 %
Relative Illuminance (Y=4.4)		51 %	77 %	99 %
Wavelength		Visible		
Mount		C-Mount		
Flange Back		17.526 mm		
Sensor Size (max.)		1/1.8"		
Co-Axial Prism		Built-in		
Weight (approx.)		320 g		
Dimension		ϕ 44.5 (max.) × L = 172.3 mm		



△×				APPROVED	CHECKED	MATERIAL 材料	-	CHAMFER 一般面取	-	QUANTITY 個数	
△×				T. A.	T. A.	TREATMENT 処理	-	FINISHING 仕上	-	-	
△×						TREATMENT CONTACT 処理接点	-	DECENTRATION 偏芯	-	-	
△×						OVER 250 UP TO 1000 ±0.3 ±0.5 ±1.0 ±0.2	UNIT (mm)	ANGLE 角度	METHOD 図法	REMARK 適用 (機種名)	
△× 4	Focus ±3 削除 / 表記変更	19.03.03	T. F.	DESIGNED	DRAWN	OVER 63 UP TO 250 ±0.2 ±0.3 ±0.6 ±0.15		-		V S Z - 0 5 3 0 C 0	
△× 3	外観変更 (ブルーライン削除×1) (フォーカス目盛変更×1、絞り目盛変更×1)	17.06.14	T. T.	T. A.	T. T.	OVER 16 UP TO 63 ±0.1 ±0.2 ±0.4 ±0.1		SCALE	1 / 1	NAME	D R A W I N G / 外 観 図
NO.×箇所	REVISION 訂正事項	DATE	NAME			OVER 0 UP TO 16 ±0.05 ±0.1 ±0.2 ±0.1		DATE	' 11.04.22	DRAW NO.	0 1 D M Z 0 0 6 6 A 3
						TOLERANCES	A	B	C	S	